

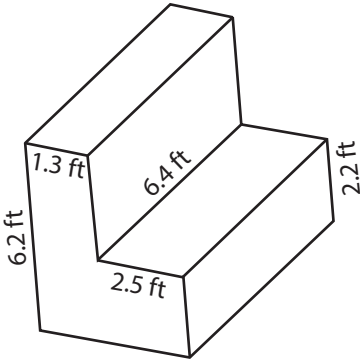
## Volume of L-Blocks

DS1



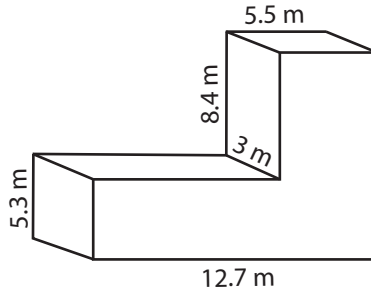
Find the volume of each L-block. Round the answer to two decimal places.

1)



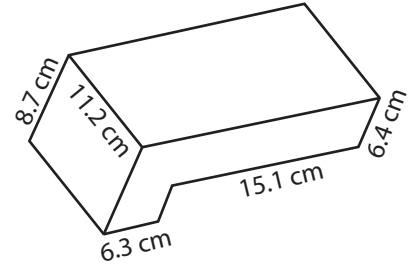
Volume = \_\_\_\_\_

2)



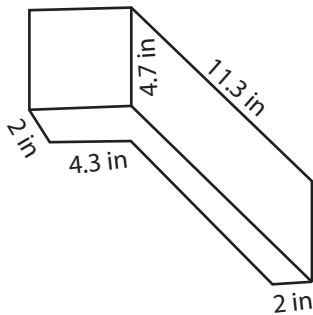
Volume = \_\_\_\_\_

3)



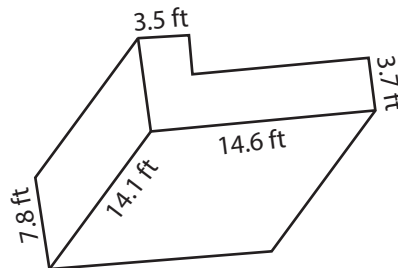
Volume = \_\_\_\_\_

4)



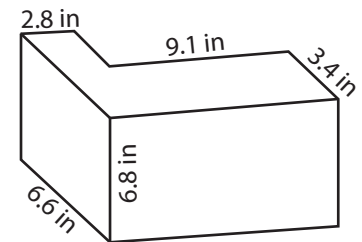
Volume = \_\_\_\_\_

5)



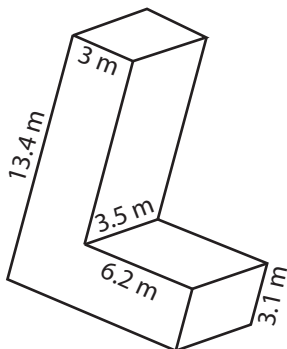
Volume = \_\_\_\_\_

6)



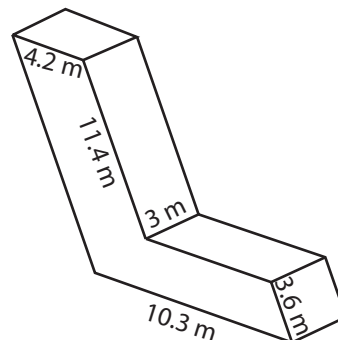
Volume = \_\_\_\_\_

7)



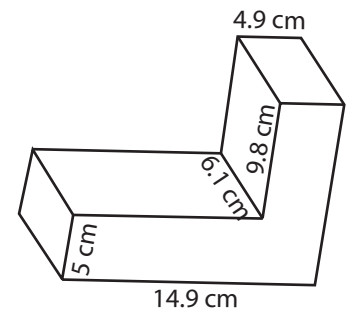
Volume = \_\_\_\_\_

8)



Volume = \_\_\_\_\_

9)



Volume = \_\_\_\_\_

Name : \_\_\_\_\_

Score : \_\_\_\_\_

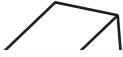
## Answer Key

### Volume of L-Blocks

DS1

Find the volume of each L-block. Round the answer to two decimal places.

1)



2)

5.5 m

3)

