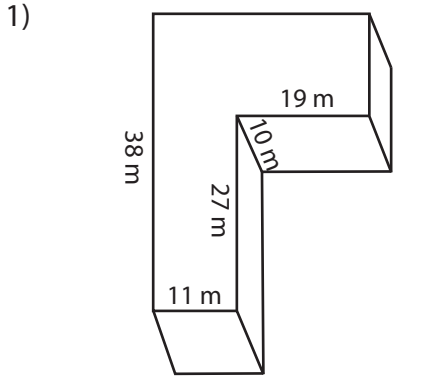


Volume of L-Blocks

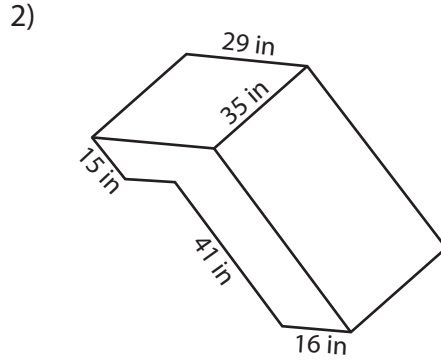
MS2



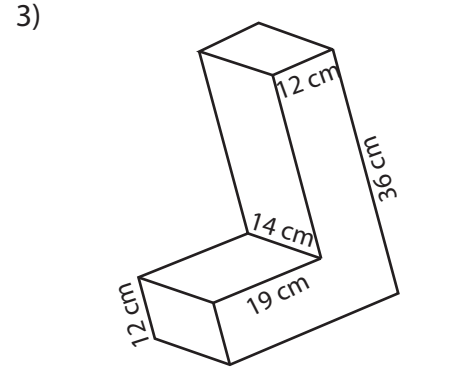
Find the volume of each L-block.



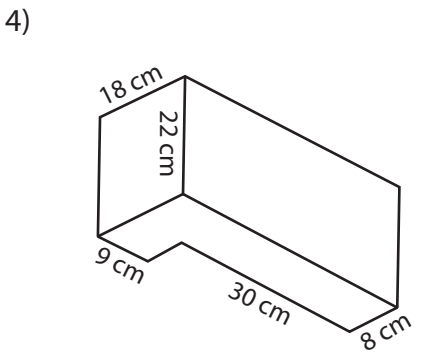
Volume = _____



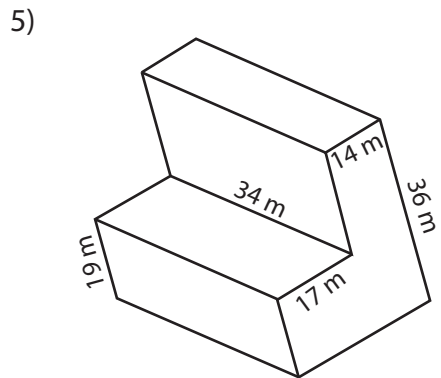
Volume = _____



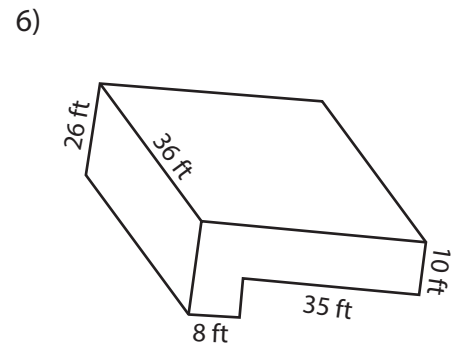
Volume = _____



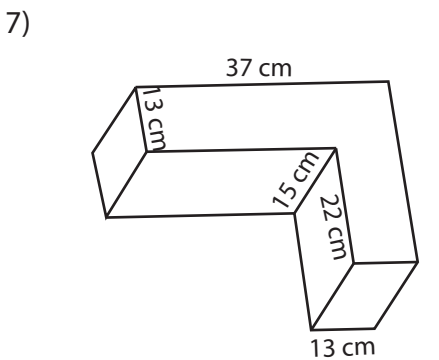
Volume = _____



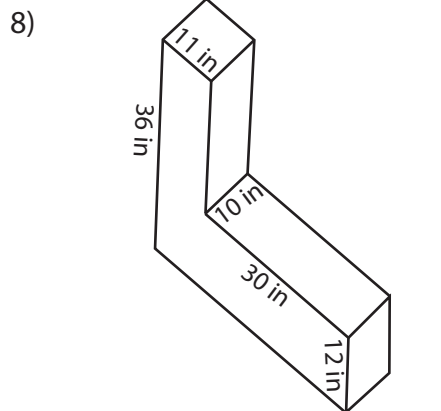
Volume = _____



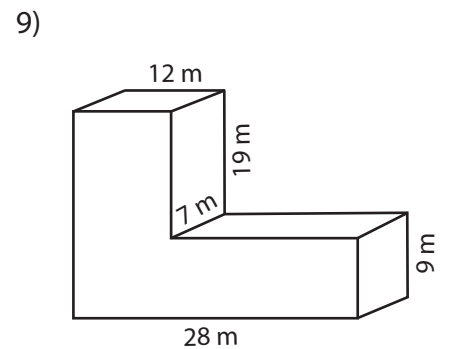
Volume = _____



Volume = _____



Volume = _____



Volume = _____

Name : _____

Score : _____

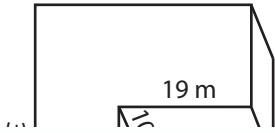
Answer Key

Volume of L-Blocks

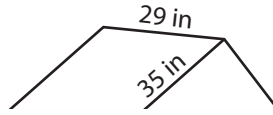
MS2

Find the volume of each L-block.

1)



2)



3)

