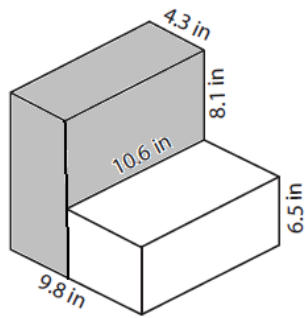
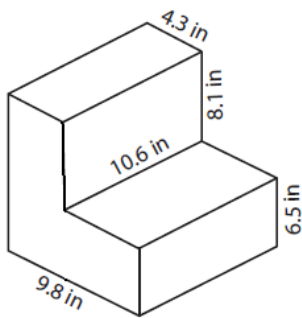
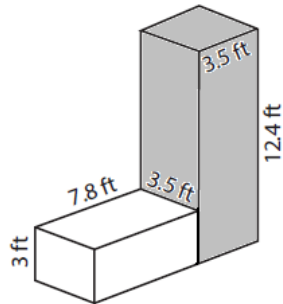
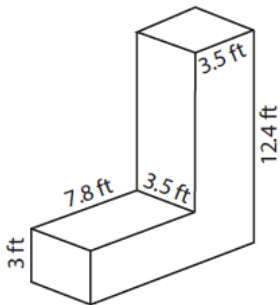
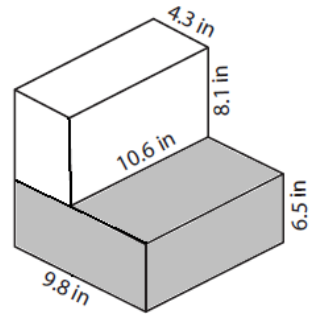


Volume of Irregular Shapes

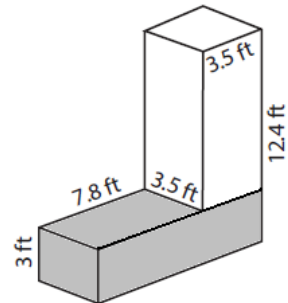
1) You must *divide* the shape into 2 sections. Then determine the volume of both sections and add them:



OR



OR



2) You have to use the measurements that are given to find out the ones that are not.

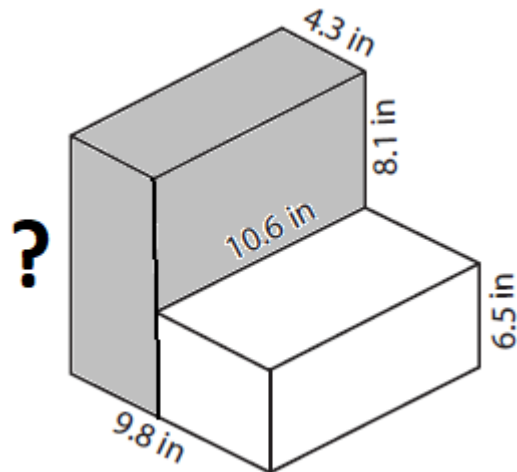
Grey Box:

Length = 4.3 in

Width = 10.6 in

Height = ?

The height is $8.1 + 6.5$



White Box:

Length = ?

Width = 10.6 in

Height = 6.5 in

The length is $9.8 - 4.3$

