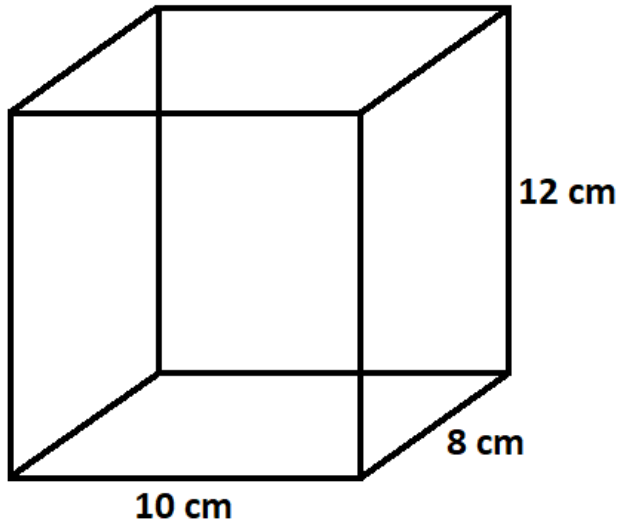
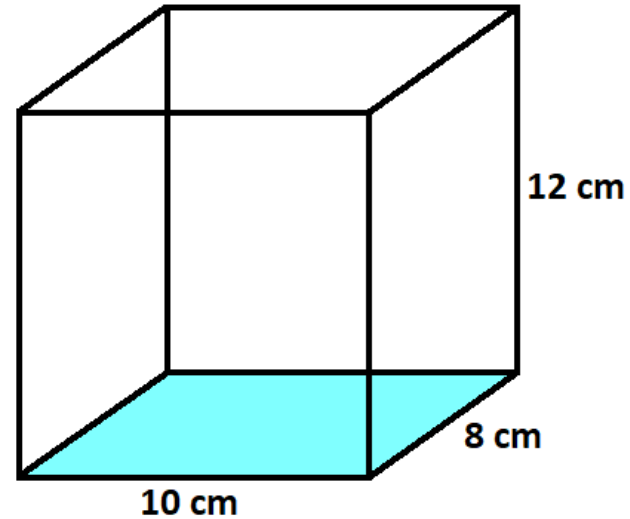


# Two Ways to Find Volume



**1) L x W x H**

$$10 \times 8 \times 12 = 960 \text{ cm}^3$$



**2) Area of Base x Height**

$$(10 \times 8) \times 12 = 960 \text{ cm}^3$$

**As you can see, both ways are the same thing.**