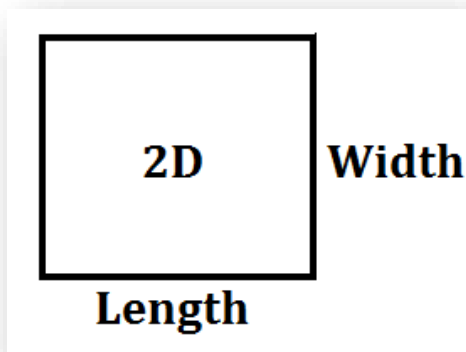
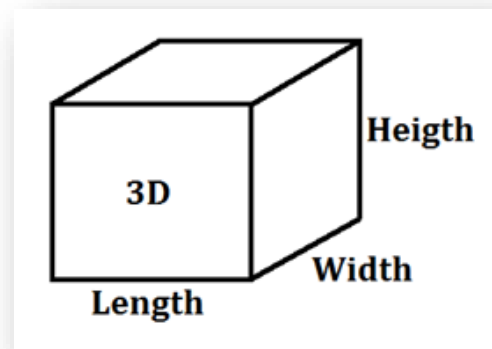


Power Standard #8

Students should be able to use, describe, and develop procedures to solve problems involving volume (straight computation and word problems).



$$\text{Area} = L \times W$$



$$\text{Volume} = L \times W \times H$$

or Area of Base \times H

